



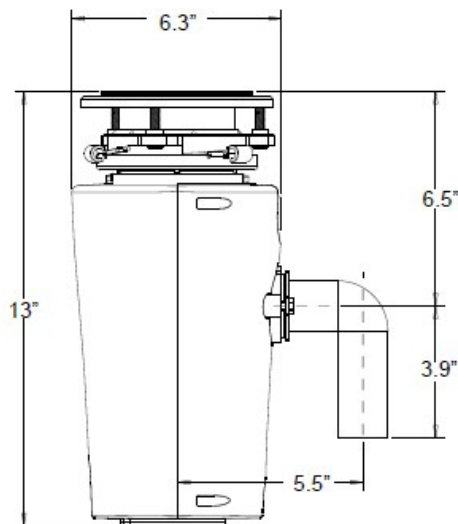
FEATURES

- WhisperGrind Quiet Operation
- 2600 RPM
- High-Powered Motor for Efficient Waste Grinding
- Stainless Steel Grinding Components
- Anti-Jamming System
- Easy Installation
- Continuous Feed Operation
- SpaceSaver Design Perfect for Compact Areas
- Attached Power Cord and Plug
- Removable Splash Guard
- 3-Bolt Mounting System

WARRANTY

- 6 Year Warranty

Dimensions:



SPECIFICATION DETAIL

HORSEPOWER	1/2 HP
MOTOR SPEED RPM	2600 RPM
VOLTAGE	120 VAC
AMPS	4.5 A
CYCLES	60 Hz
BEARINGS	Permanently Lubricated, Sleeve-Type
MOTOR TYPE	DC, Permanent Magnet
SPLASH GUARD	Removable
GRIND RING	Stainless Steel
SWIVEL IMPELLERS	Stamped Stainless Steel
BALANCED TURNTABLE	Stainless Steel
BALANCED ARMATURE SHAFT	Yes
HOPPER	Corrosion Proof Glass Filled Polyester Nylon (PA66)
DRAIN HOUSING	Corrosion Proof-Phenolic
APPLIANCE PROTECTOR	Manual Reset
SOUND-DAMPENING SHELL	Full Sound Shell
HARDWARE INCLUDED	Stopper and Drain Elbow Kit
SINK FLANGE	Stainless Steel
MOUNT ASSEMBLY	3-Bolt
HOPPER CAPACITY	29 oz
POWER CORD LENGTH	34"
UNIT WEIGHT	9.4 lbs.